



ERTELALSOP

THE FIRST NAME IN LIQUID FILTRATION™

EUS SERIES

The EUS Series is the most versatile of all the models in the ErtelAlsop line of plate and frame filters. With filtration area ranging from 2.8 square feet to 142 square feet, an EUS can be utilized in virtually any application. Its 16" (40 cm) square dimension provides ample filtration area while still maintaining a manageable weight of plates and frames.

As with all of our internally ported filter assemblies, gaskets and washers are not required.

STANDARD FEATURES

- 316L SS
- BioClean™ Outlet Plates
- Internal Ports
- 1 inch Tri-Clamp Fittings
- Handwheel Closure with Ratchet Wrench Assistance
- Cart-Mounted

OPTIONAL FEATURES

- Fifty (50) pad capacity expansion
- Variable Frame Thickness
- Polypropylene Plates and Frames
- Dividing Heads
- Blanking Head
- Weld-Free Plate Design
- Thorough Wash Capability
- Vapor Master® Enclosure
- Diamond Configuration
- Hydraulic Closure
- Cake Recovery Carts
- Pressure Gauge
- Tubing
- Pump
- Motor



APPLICATIONS:

- Cologne/Perfume
- Cough Syrups
- Flavors
- Fragrances
- Small Volume Parenterals
- Distilled Beverages
- Wine
- Vinegar

PRODUCT TESTING

Product testing is always available either at your facility, through our network of distributors, or at our in-house laboratory.

PILOT TESTING - RENTALS

For in-plant testing and scale-up procedures, ErtelAlsop offers a variety of lab filters for rent. A portion of rental fees can be applied to the purchase of your full production filter.

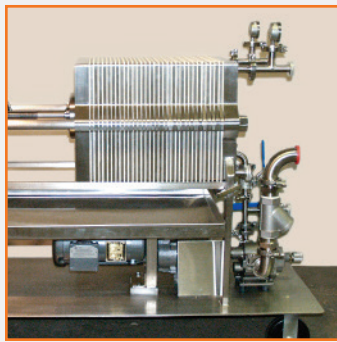
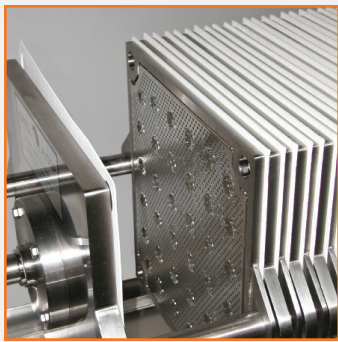
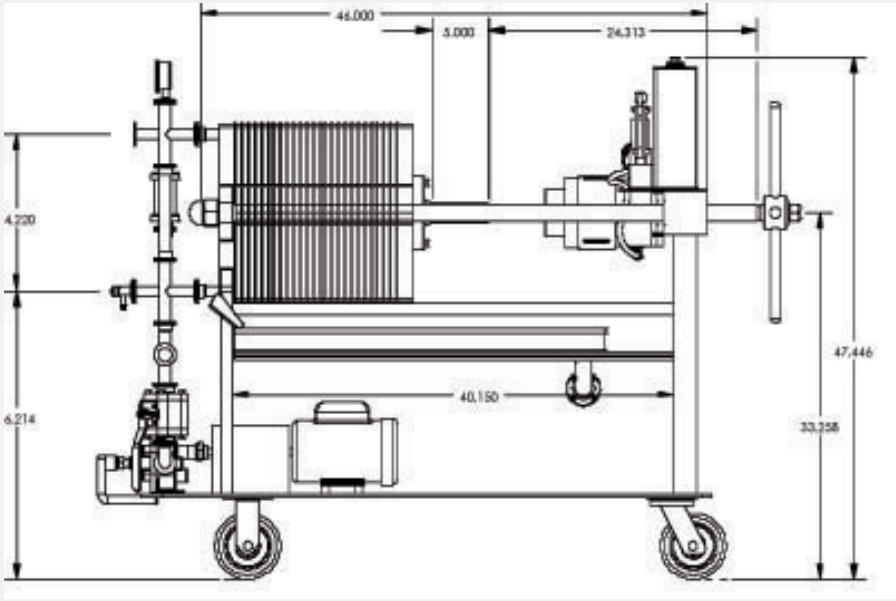
FILTER MEDIA

As with all ErtelAlsop plate and frame filter press models, media is available for any application and/or operating condition, and is chosen based on your specific operating conditions, the performance required by the filtering media, and criteria given to us by you and/or by sample processing we do in our lab.

ErtelAlsop offers the widest varieties of filter media including 100% cellulose pads, cellulose and diatomaceous earth pads, cellulose and Celpure® diatomaceous earth pads, cellulose and perlite pads, and cellulose and activated carbon pads.

All filter pads are manufactured to very high standards for a wide range of applications in the pharmaceutical, chemical, cosmetic, electric utility and food and beverage markets. ErtelAlsop also offers a Validation Guide to assist in the validation of its filter pads in your process. The Validation Guide contains information regarding raw materials, extractables, and general information about the product. The combination of ErtelAlsop "P" grade filter pads and ErtelAlsop's BioClean™ plate and frame filter press design, can help to simplify your depth filtration validation now more than ever.

EUS SPECIFICATIONS		
Standard Height	39.39 in	(1 m)
Standard Width	23.62 in	(0.6 m)
Range of Length	39.4 - 157.5 in	(1.0 - 4.0 m)
Plate Dimension	16 in square	(406 mm)
Ports	4 internal	
Area/Filter Sheet	1.42 ft ²	(0.132 m ²)
Cake Vol. - 12.5 mm inlet	0.40 gal	(1.52 l)
Cake Vol. - 25 mm inlet	0.90 gal	(3.39 l)
Cake Vol. - 37.5 mm inlet	1.38 gal	(5.21 l)
Cake Vol. - 50 mm inlet	1.92 gal	(7.27 l)
Batch Size	Up to 6,604 gal	(25,000 l)
Flow Rate	Up to 50 gpm	(190 lpm)



For additional
product information visit
ErtelAlsop.com

Technical Bulletin EUS-PF-13

ErtelAlsop
132 Flatbush Avenue
Kingston, NY 12401 US

ErtelAlsop.com
800.553.7835 Telephone
845.853.1526 Fax

Keep in touch.

Visit us at ErtelAlsop.com

Your Local Distributor

